

# PCS Band Dual Polarization

Horizontal 65° 14.15dBi


## PCS-DPH-65-12( T0 / T2 / T6 )

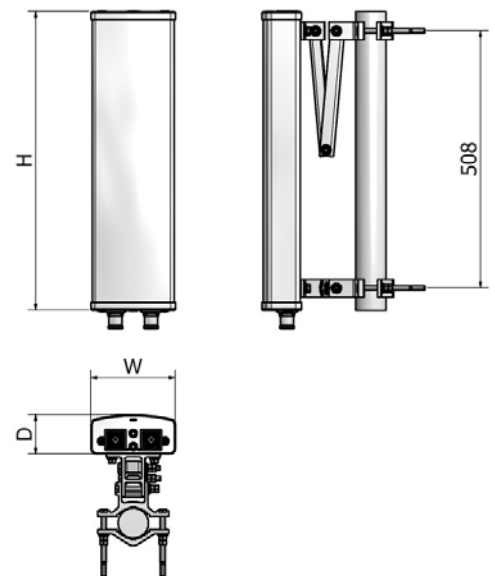
### i. Electrical Specification

|                           |                                  |                        |
|---------------------------|----------------------------------|------------------------|
| Frequency Range           | 1750 ~ 1870 MHz                  |                        |
| Band Width                | 120 MHz                          |                        |
| Gain                      | ≥ 14.15 dBi ± 1dB ( 0°, 2°, 6° ) |                        |
| Polarization              | ± 45° SLANT                      |                        |
| Beam width                | Horizontal                       | 65° ± 5°               |
|                           | Vertical                         | 18° ± 3°               |
| F-B ratio                 | Horizontal (@180 ± 30°)          | ≥ 25 dB ( 0°, 2°, 6° ) |
|                           | Vertical (@180 ± 60°)            | ≥ 25 dB ( 0°, 2°, 6° ) |
| VSWR                      | ≤ 1.3 : 1                        |                        |
| Impedance                 | 50 Ω                             |                        |
| 1st Upper Side lobe level | ≥ 13 dB ( 0°, 2°, 6° )           |                        |
| Maximum input power       | ≥ 200 W                          |                        |



### ii. Mechanical Specification

|                               |   |  |
|-------------------------------|---|--|
| Radom Dimension ( H x W x D ) | 590 x 161 x 73 mm   |  |
| Weight ( Include bracket )    | ≤ 5 kg  |  |
| Connector Type                | 7/16 DIN  |  |
| Withstand Wind Pressure       | 60 m/sec  |  |
| Radom Material (color)        | A.S.A. (Cool Gray 4C)  |  |
| Mechanical Down Tilt          | 0° ~ 20°  |  |
| Temperature                   | -40 °C ~ 70 °C  |  |
| Packing Size (H x W x D)      | -   |  |
| Packing Weight                | -   |  |



### iii. Radiation Pattern

